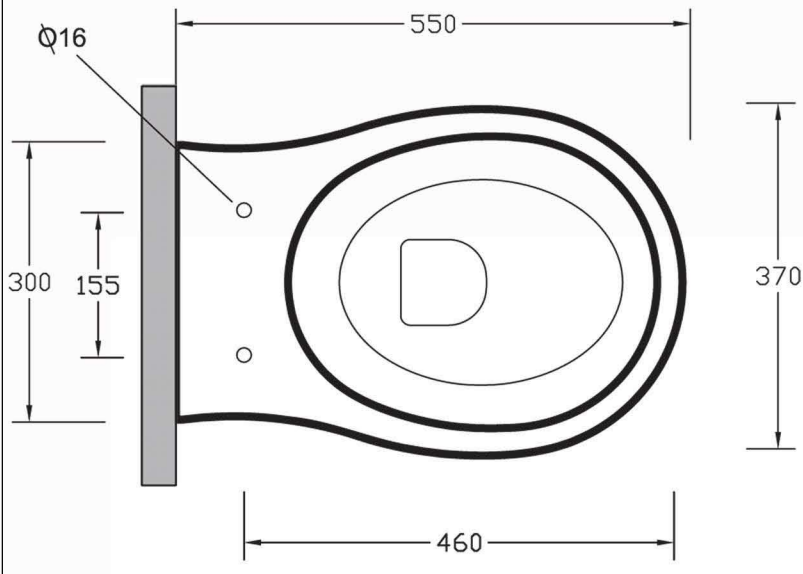
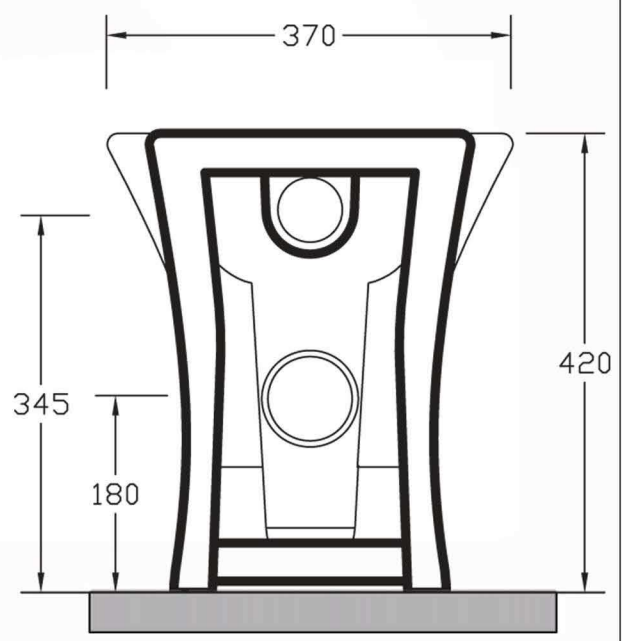
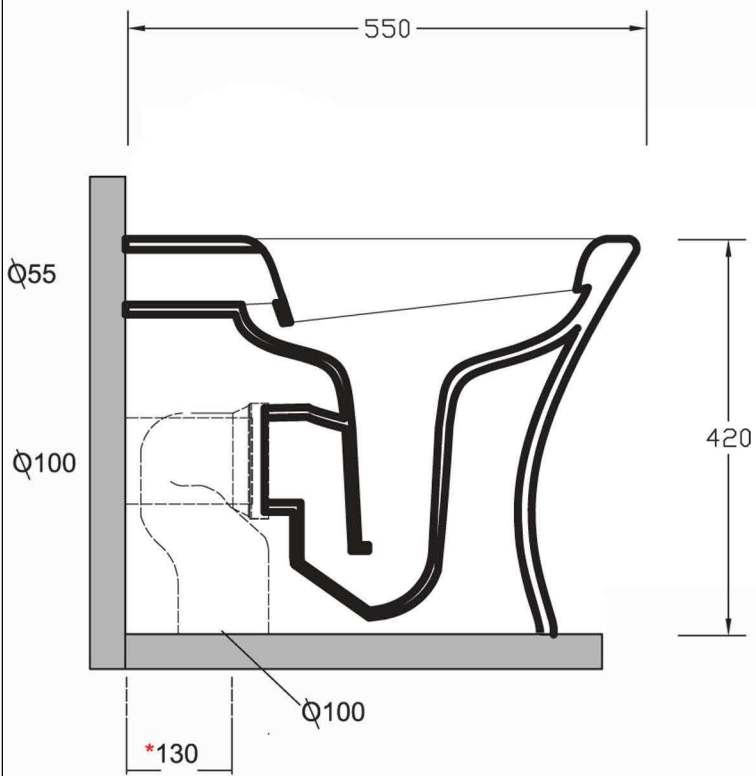




Florentina Stand-WC



*CURVE TECNICHE PIPE CONNECTORS	
Art.RASB	Art.RAR1
130 da 110/140	160 da 150/170
130 from 110/140	160 from 150/170



* Quota d'installazione consigliata
* Advised measure for installation