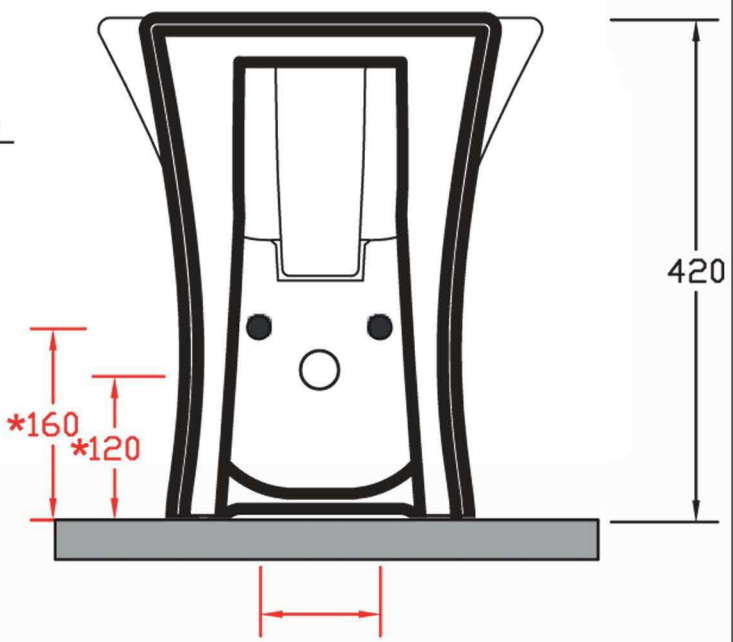
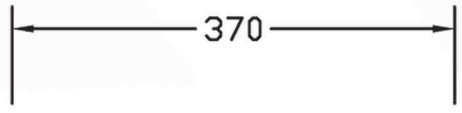
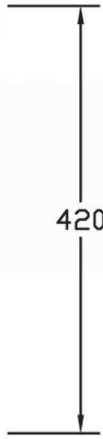
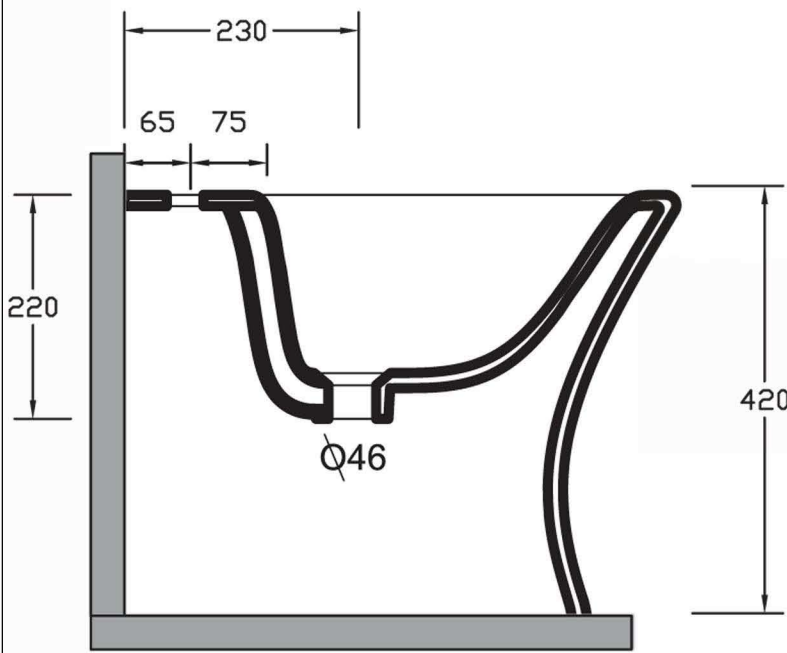
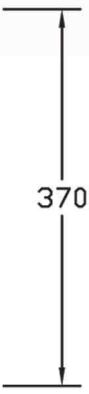
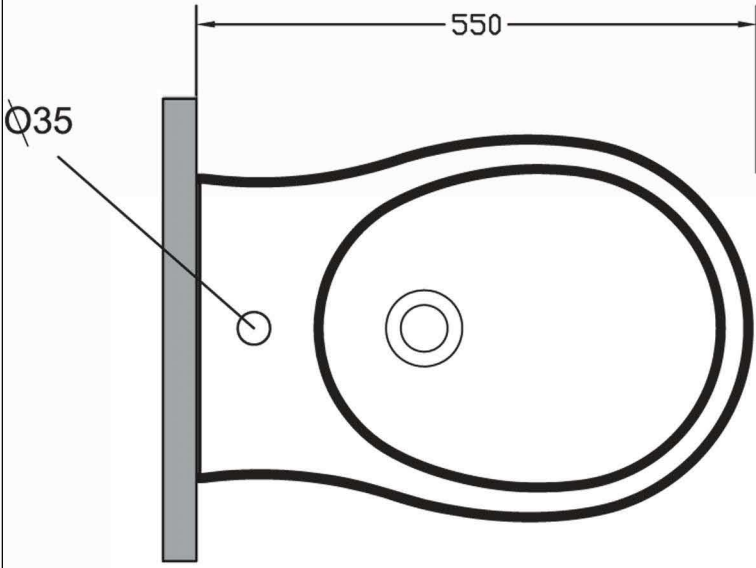


Florentina Stand-Bidet



*Advised measure for installation

*100