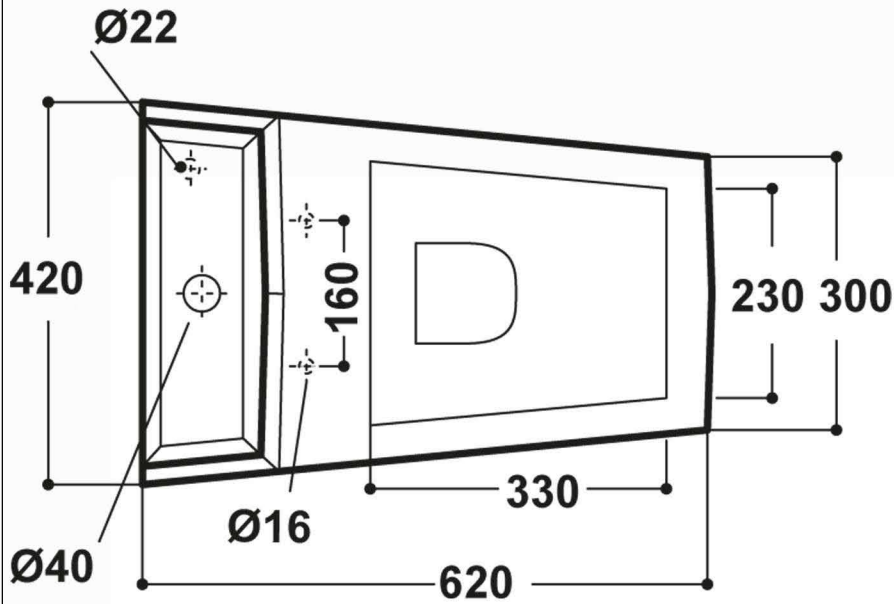


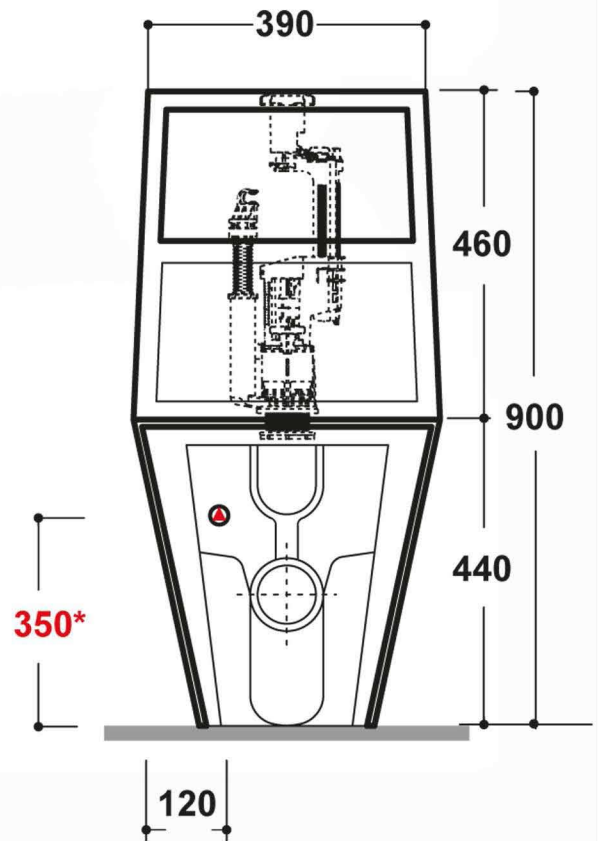
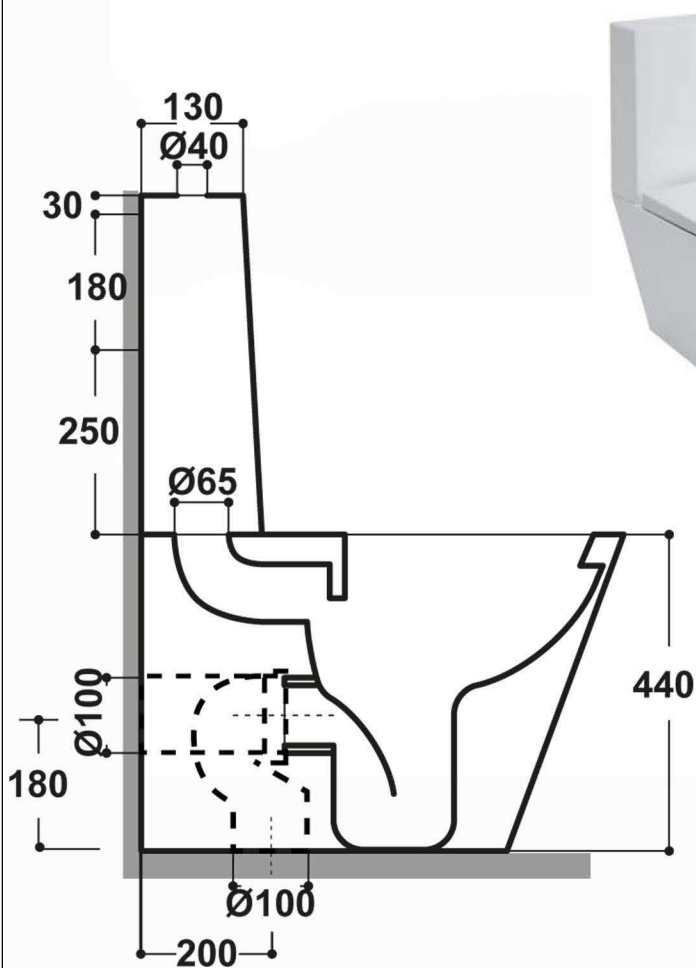
Diamante Stand-WC Aufsatzspülkasten



*CURVE TECNICHE
PIPE CONNECTORS

Art.RASB	Art.RAR1
200 da 180/210	180 da 180/245
200 from 1800/210	180 from 180/245

Technical drawings of pipe connectors. The left drawing (Art.RASB) shows a connector with a width of 145 and a height of 290. The right drawing (Art.RAR1) shows a connector with a width of 250 and a height of 130. Both drawings show a base width of 100.



* Quota di installazione consigliata
Advised measure for installation