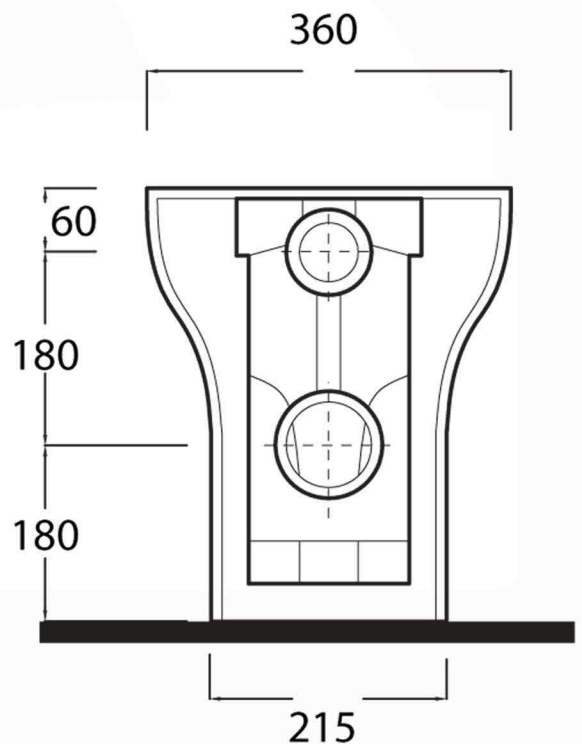


|                                    |
|------------------------------------|
| *CURVE TECNICHE<br>PIPE CONNECTORS |
| Art.RASB                           |
| 100 da 100/110                     |
| 100 from 100/110                   |



\*Quota d'installazione consigliata.  
\*Advised measure for istallation.