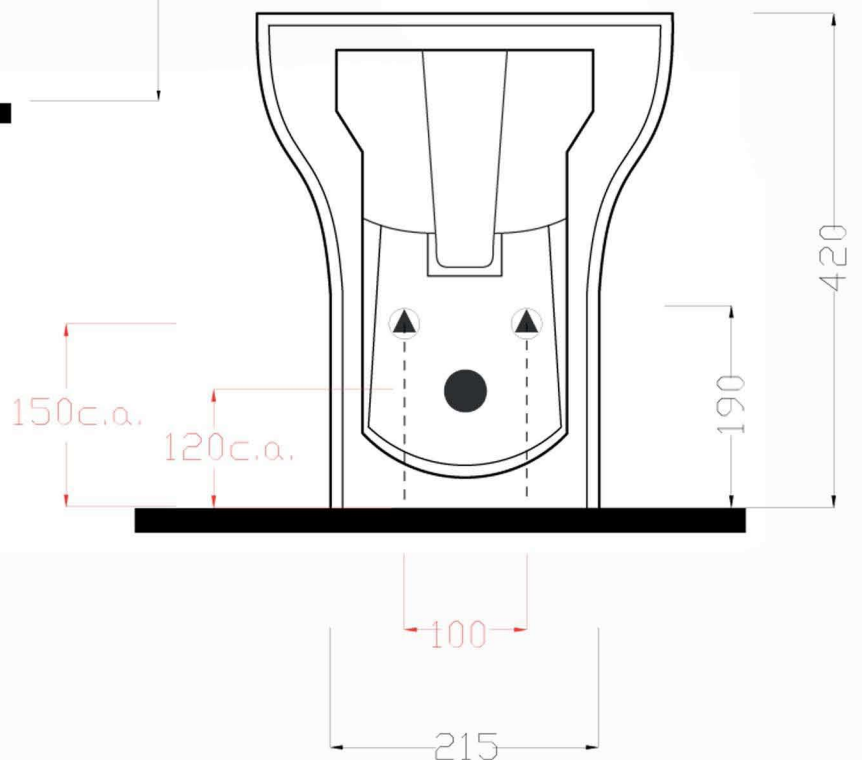
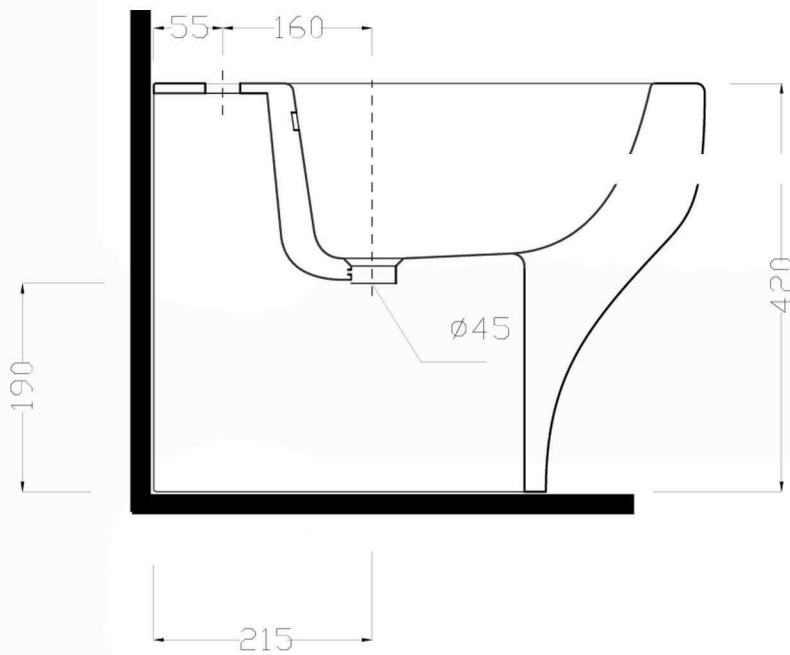
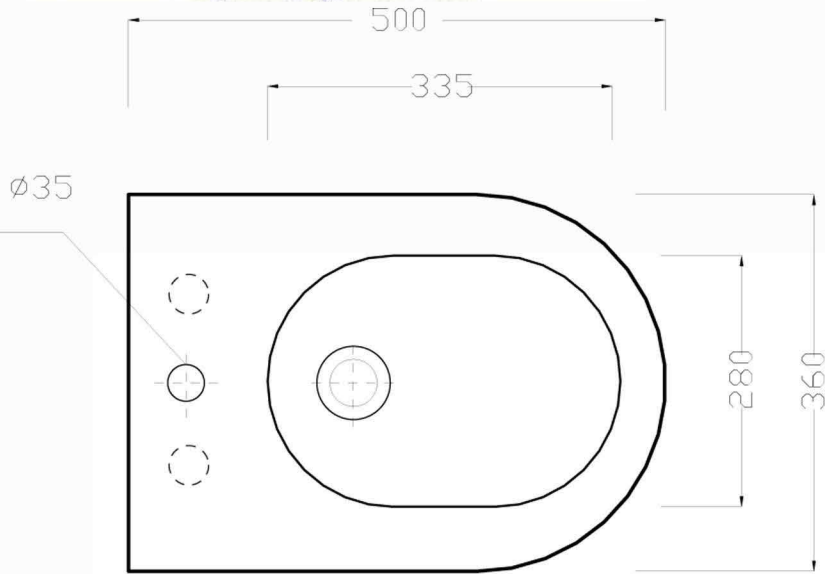


Clarissa Stand-Bidet



*Advised measure for installation