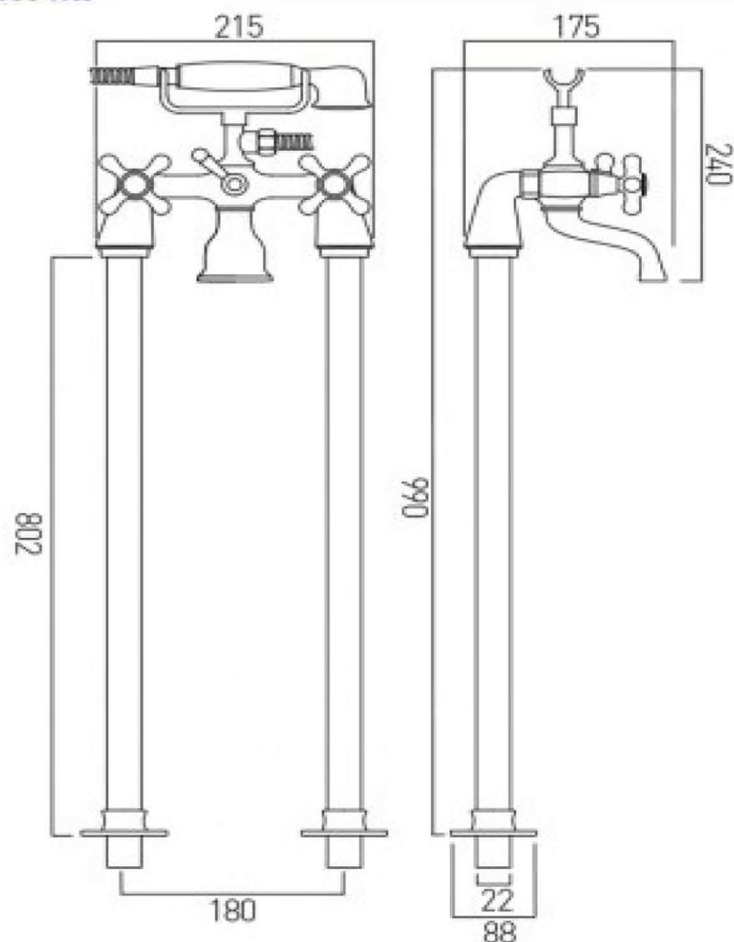


# bädermax

Mein Luxusbad

## Victoriana 133 Badewannen-Standarmatur



**description:** bath shower mixer  
floor mounted  
with shower kit  
cold ceramic cartridge AST-VALVE/CD/CL-1/2  
hot ceramic cartridge AST-VALVE/CD/HT-1/2  
3/4" x 50mm threaded connections (on legs)  
chrome or antique gold

**ECO** recommended flow regulator product code: FR-SHOWER/9-C/P

**guarantee:** chrome: 12 year guarantee

**minimum operating pressure:** 0.2 bar LP

**certificates and awards:**



cert no. 1506013

[www.baedermx.com](http://www.baedermx.com)