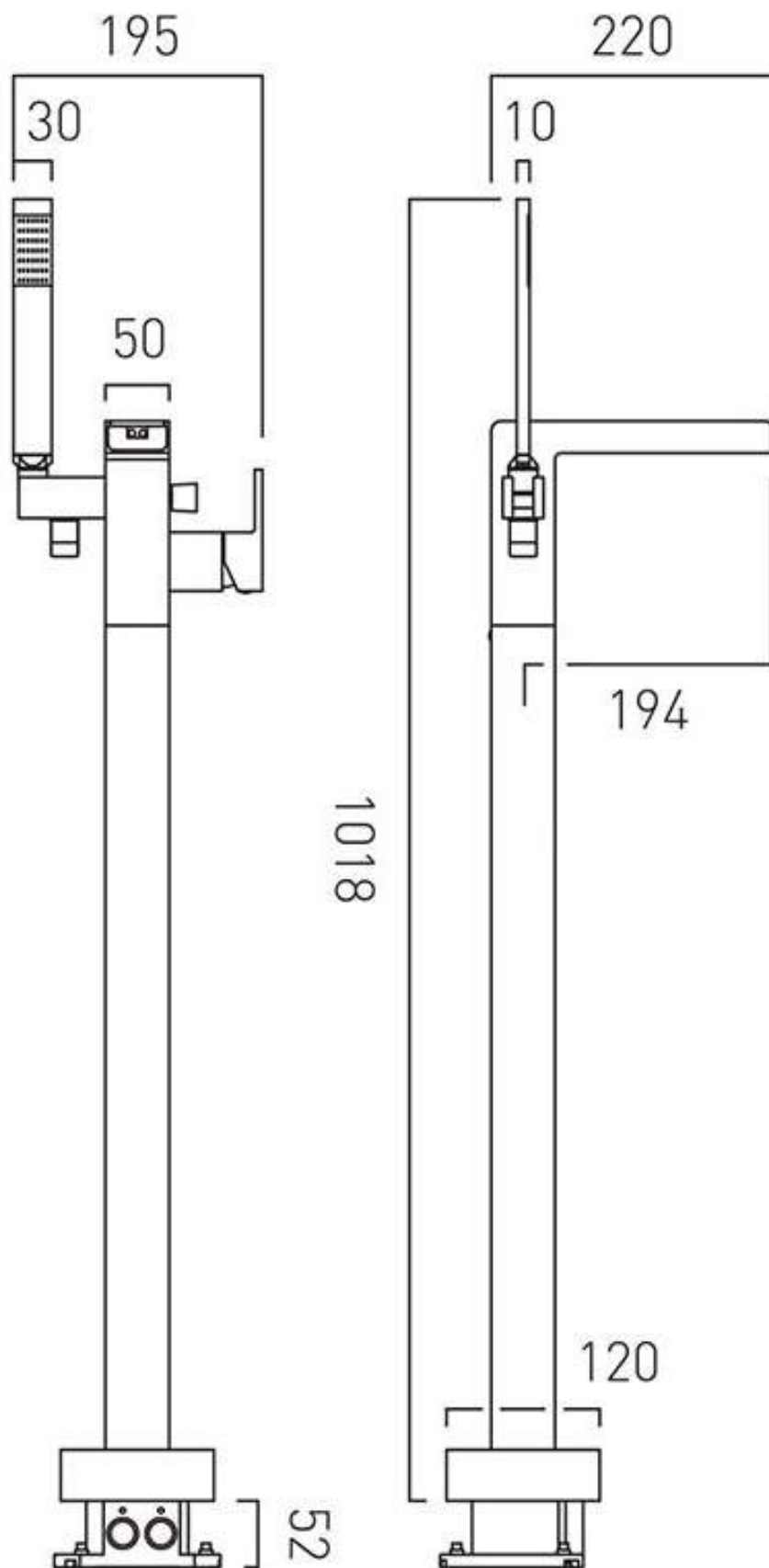


**bädermax**

*Mein Luxusbad*

# Synergie 233

Badewannen Standardarmatur



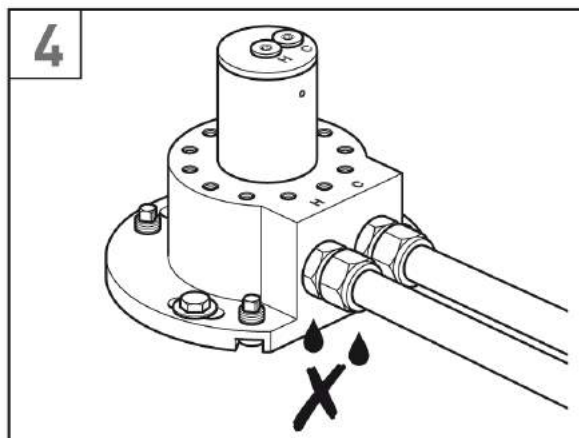
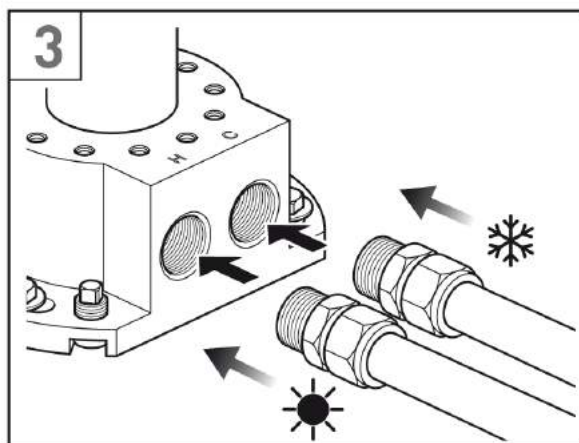
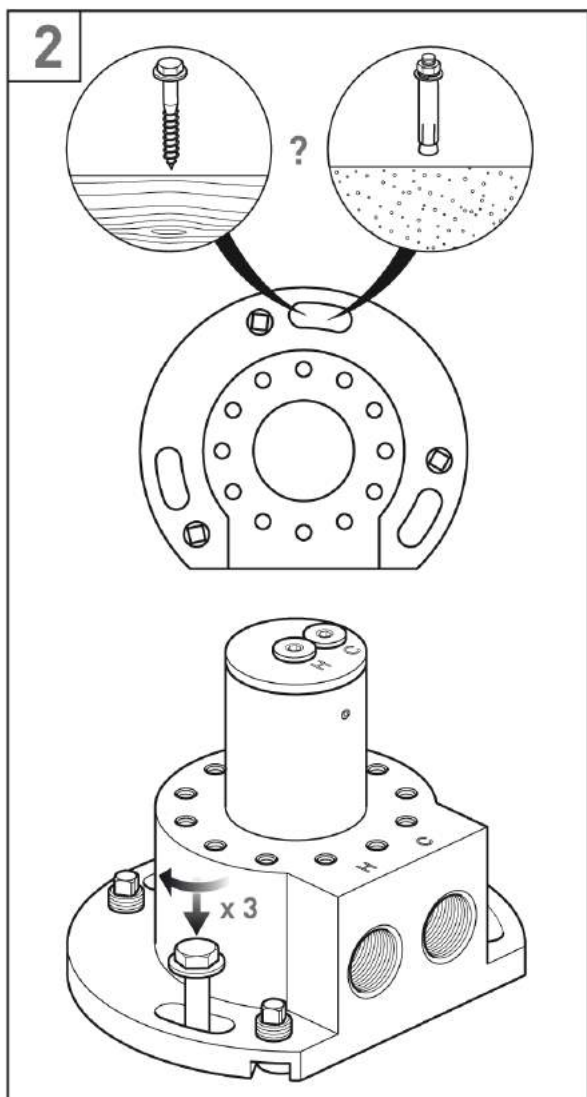
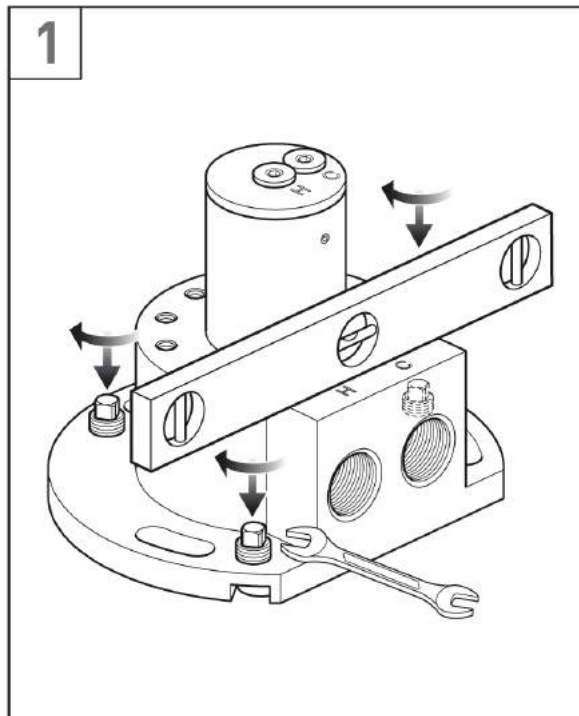
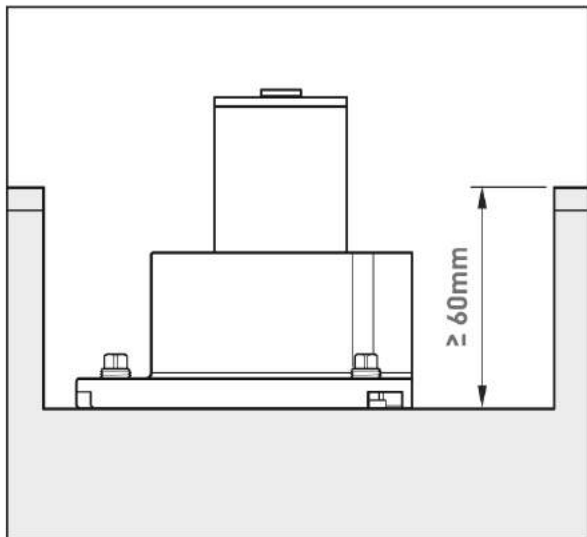
# bädermax

Mein Luxusbad

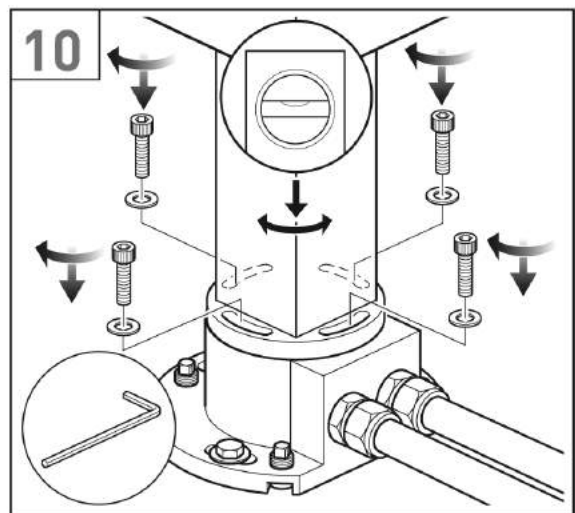
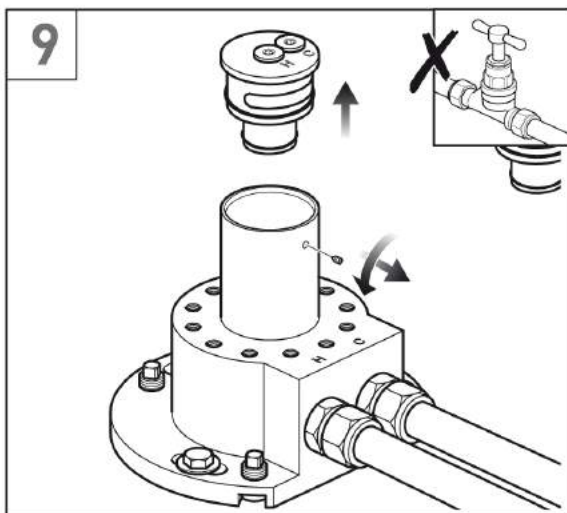
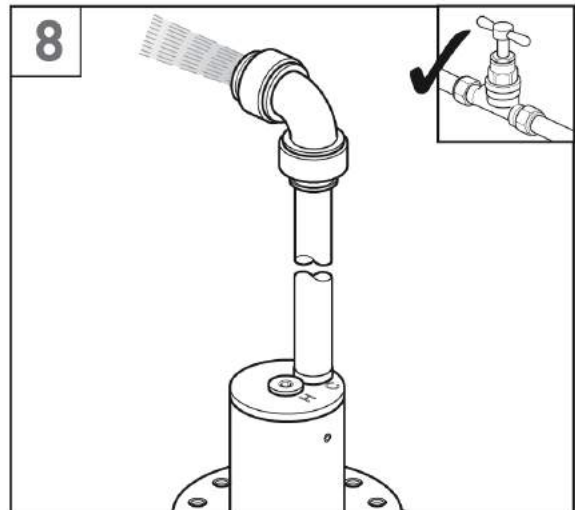
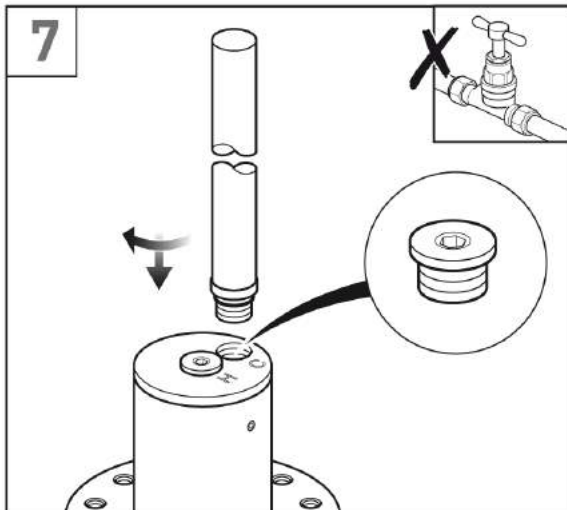
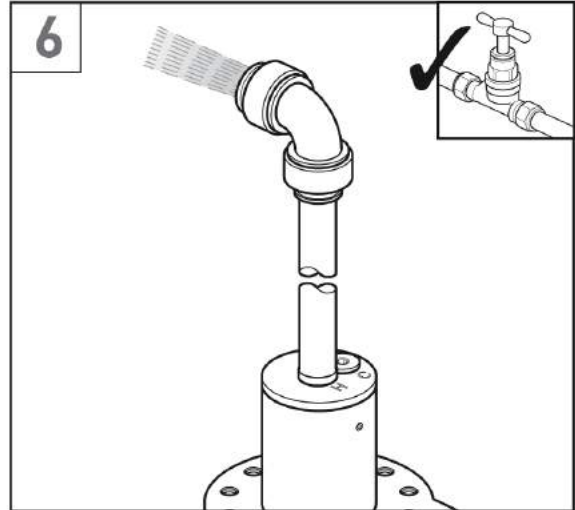
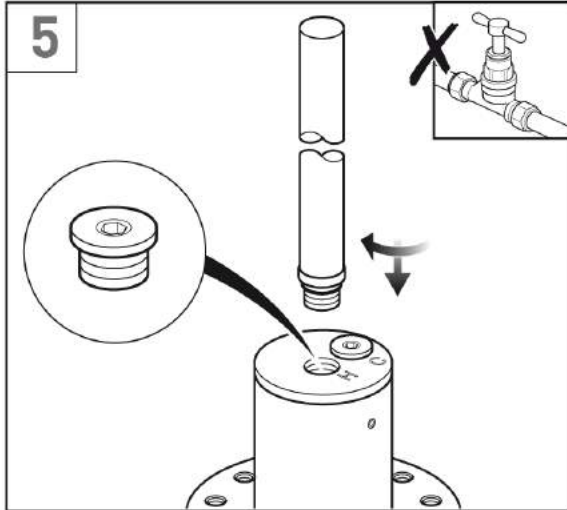
# Synergie 233

Badewannen Standarmatur

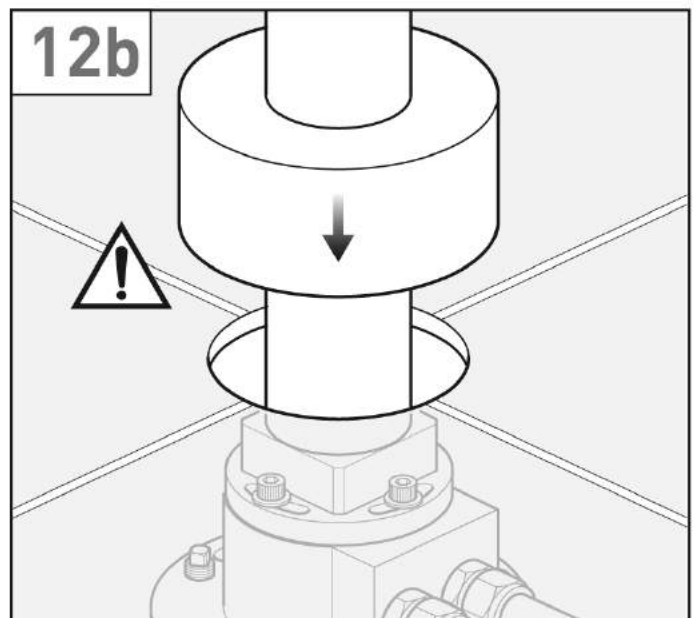
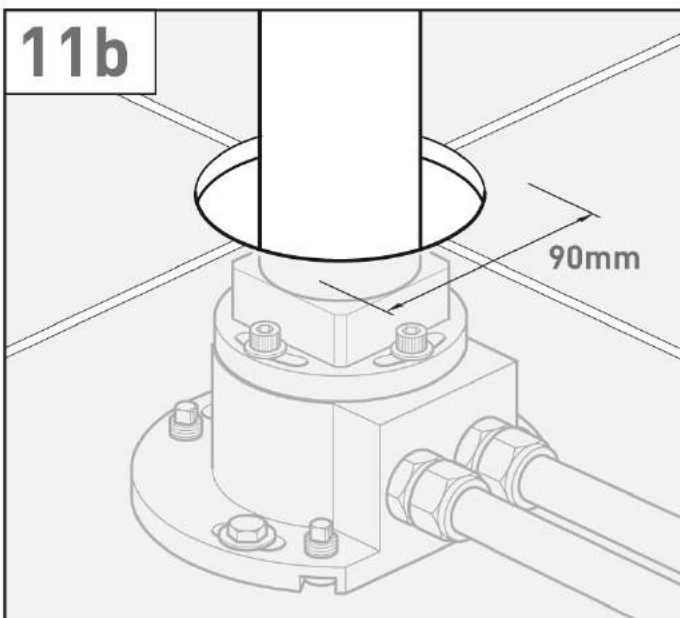
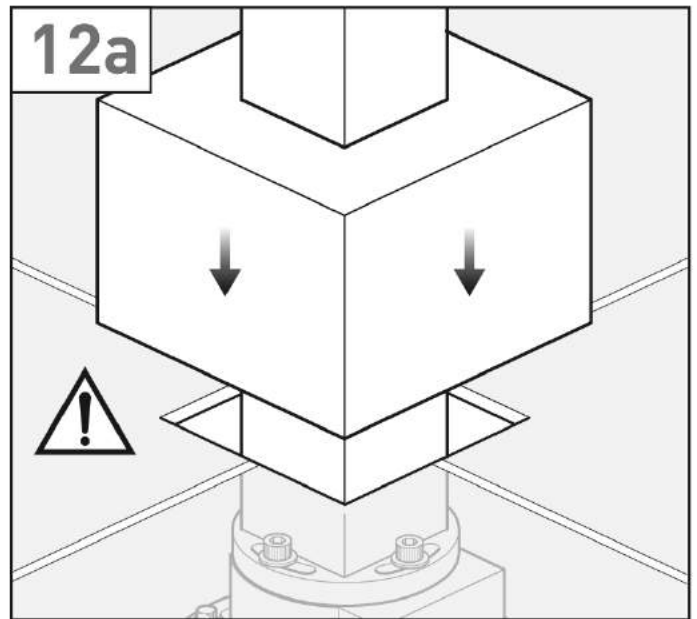
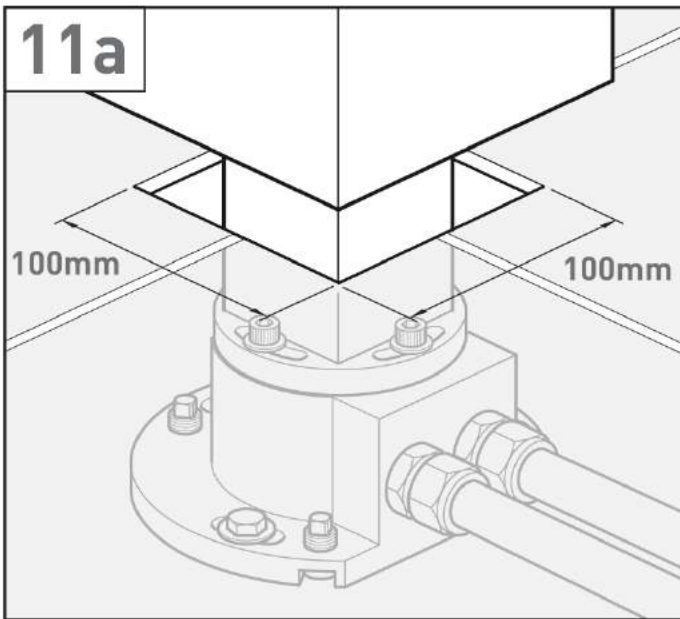
Installation - Quick guide



Installation - Quick guide



## Installation - Quick guide



# bädermax

Mein Luxusbad

# Synergie 233

## Badewannen Standarmatur

### Installation

**Warning!** Please check for any hidden cables and pipes before drilling holes.

The base must be recessed below the final floor level by at least 60mm.

There are 3 fixing positions and 3 levelling bolts.

Use suitable fixings (not supplied) for your substrate e.g. expansion bolts for concrete, or coach screws for wood.

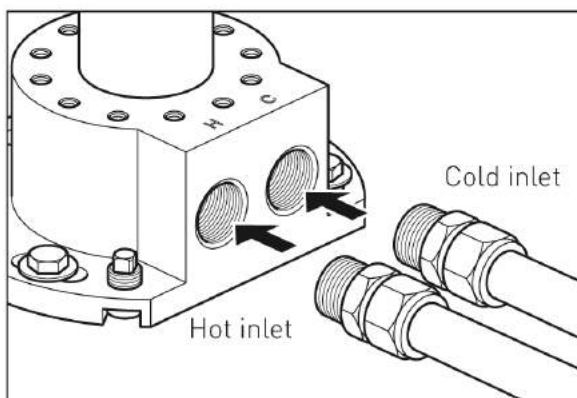
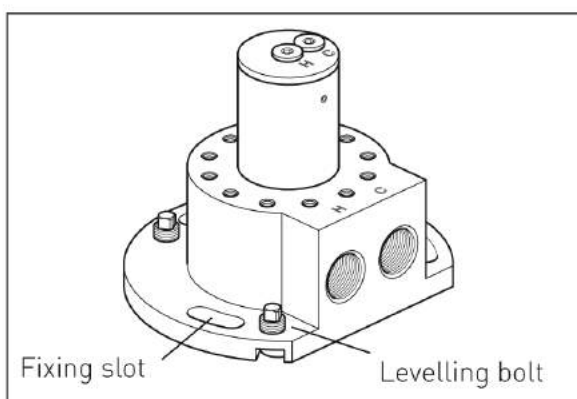
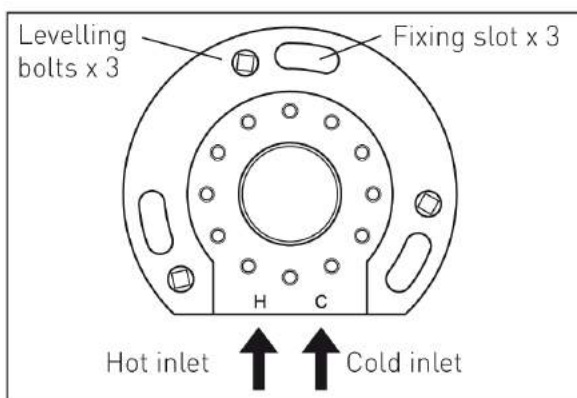
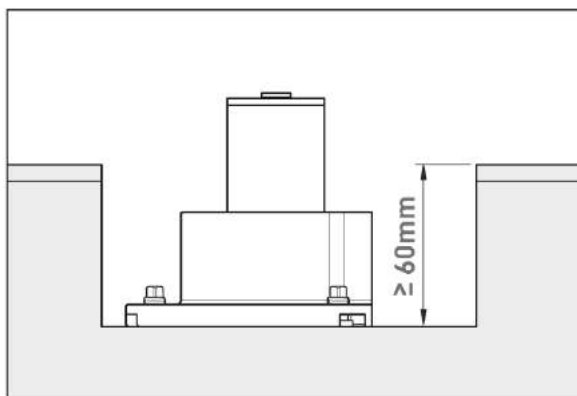
Position the base in the desired location, mark the 3 fixing holes. Remove the base and drill the 3 x holes to the required diameter and depth to suit your fixings.

Fit the base in position, but do not tighten. Use the adjusting screws to level the seat, when satisfied with the level, finally tighten the fixings.

Connect the hot and cold supplies to the base. The hot should be fixed to the outlet marked **H** and the cold fixed to **C**.

Turn on the water and check for any leaks in the pipe work.

Turn off the water supply.



# bädermax

*Mein Luxusbad*

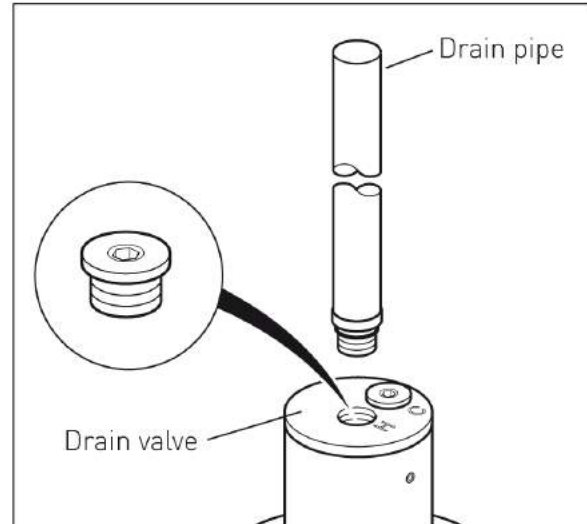
## Synergie 233 Badewannen Standarmatur

### Installation

Using a hex key remove the blanking plug from the hot port of the drain valve.

Screw on the drain pipe.

We recommend to push a speedfit connector (not supplied) on the end of the drain pipe, and a bucket to catch the water.

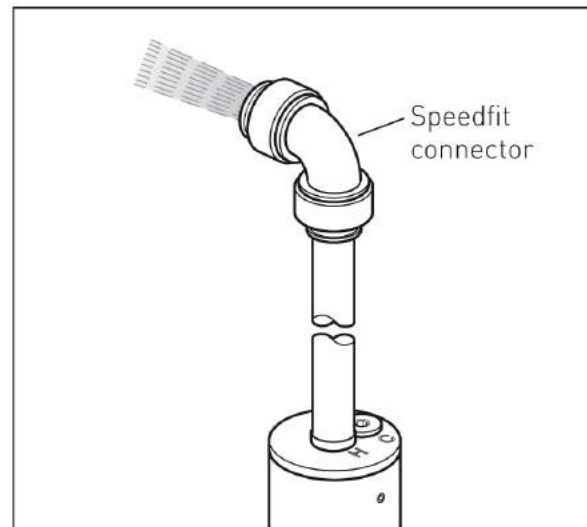


Turn on at the mains, and allow the debris and water to drain.

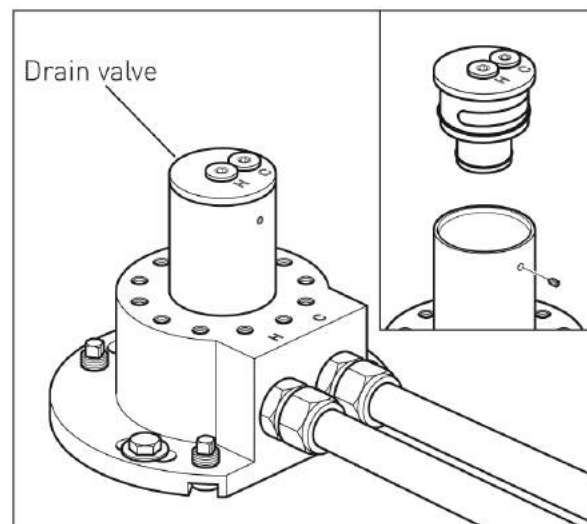
Turn off the water.

Remove the drain pipe, refit the blanking plug.

Repeat the same procedure for the cold port.



Remove the grub screw and pull the drain valve out of the base.



# bädermax

*Mein Luxusbad*

## Synergie 233

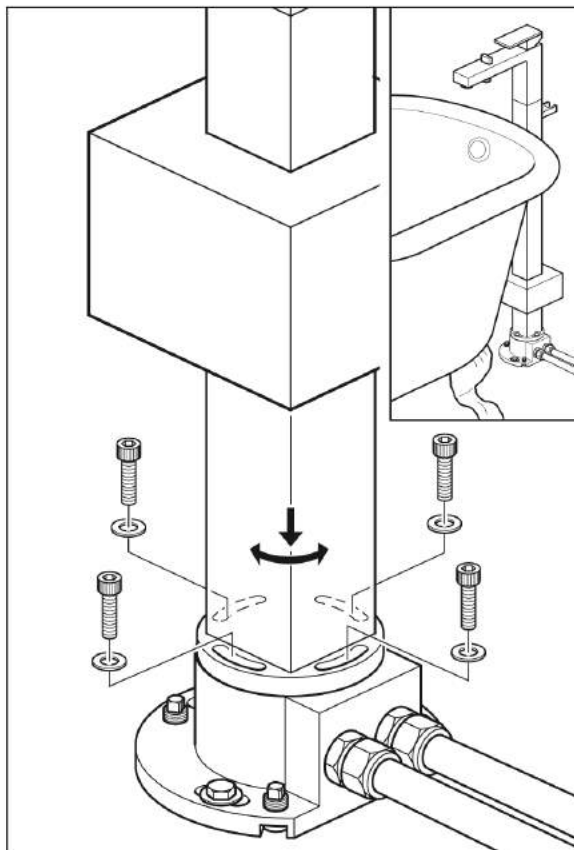
Badewannen Standarmatur

### Installation

Carefully place the base connection onto the base making sure not to damage the seals on the base connection.

Rotate the tap/upstand until the outlet is in the desired position.

When satisfied, secure using the x 4 supplied cap screws and washers.

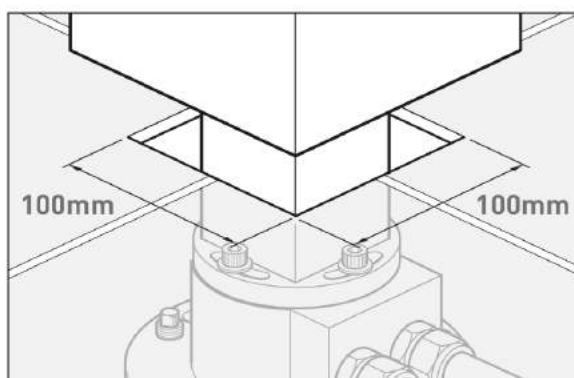


Finish the floor covering down to a dimension of :-

**Notions & Synergie** 100mm x 100mm square.

**Life & Origins** 90mm diameter.

Keep the tap/upstand protected while the floor is being completed.



Slide the shroud down until it makes connect with the floor.

 Be sure to keep the shroud level, and lower both sides equally.

