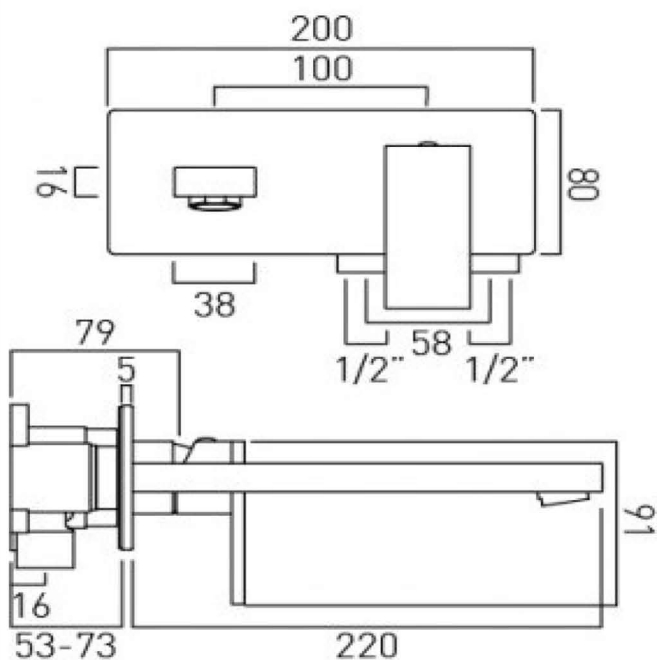




technical drawing:



description: 2 hole basin mixer with 220mm spout
single lever
wall mounted
with water flow aerator
ceramic cartridge CAR-K35B
2 x 1/2" inlets
min-max wall mount 53-73mm

finishes: chrome

ECb recommended flow regulator product code: FR-100/5-PLA

guarantee: 12 year guarantee

minimum operating pressure: 0.2 bar LP

certificates and awards:



cert no. 1505018