

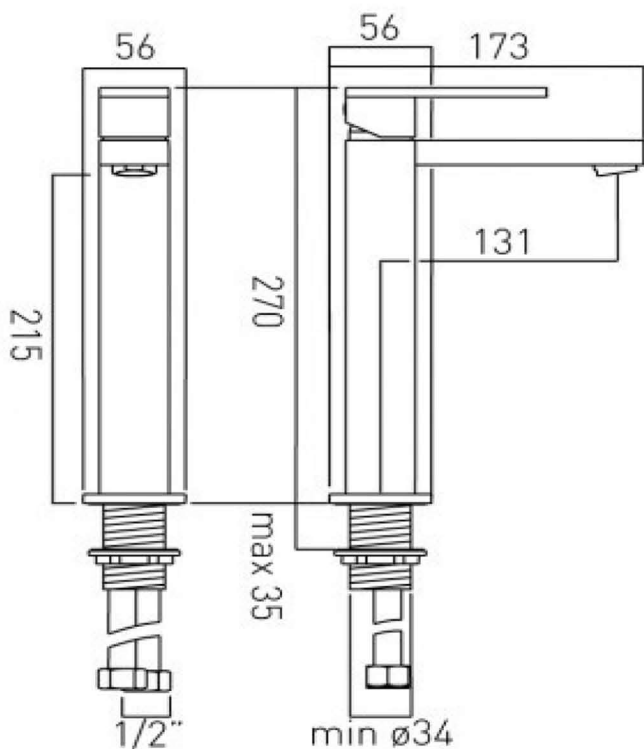
bädermax

Mein Luxusbad

Notions 100 E Waschbecken-Aufsatzarmatur



technical drawing:



description: extended mono basin mixer
single lever
deck mounted
smooth bodied
without clic-clac waste
with water flow aerator
ceramic cartridge CAR-K28A
2 x 1/2" nut x 560mm flexipipe connections
deck mount drill hole diameter 34mm

finishes: chrome

Eco recommended flow regulator product code: FR-100/5-PLA

guarantee: 12 year guarantee

minimum operating pressure: 1.0 bar MP

flow rate at 3.0 bar flow pressure: 11 l/min

certificates and awards:



cert no. 1209362